

**LAMP****HES**  
Hinge España**INSTALLATION MANUAL  
FOR HES3D-E190 CONCEALED HINGE  
(3-DIMENSIONAL ADJUSTABLE HINGE)**Order the Templaco Tools, Inc.  
Router Template.

Model: Lamp HES3D-E190

Read all instructions carefully for proper use.

**COMPONENT PARTS**

- CONCEALED HINGE 2 pcs
- Screw cover 2 pcs.ea. (Door side, Frame side)
- Flat Head Screw (5×30) 8 pcs×2
- Hex Key (Key size 4) 1 pc
- Template 1 pc
- INSTALLATION MANUAL

**HINGE PARTS****ITEM NO. / FINISH**

ITEM NO.	FINISH
HES3D-E190DC	Silver
HES3D-E190DN	Champagne Gold
HES3D-E190BL	Black

**DOOR SPECIFICATIONS**

Recommended door dimensions :

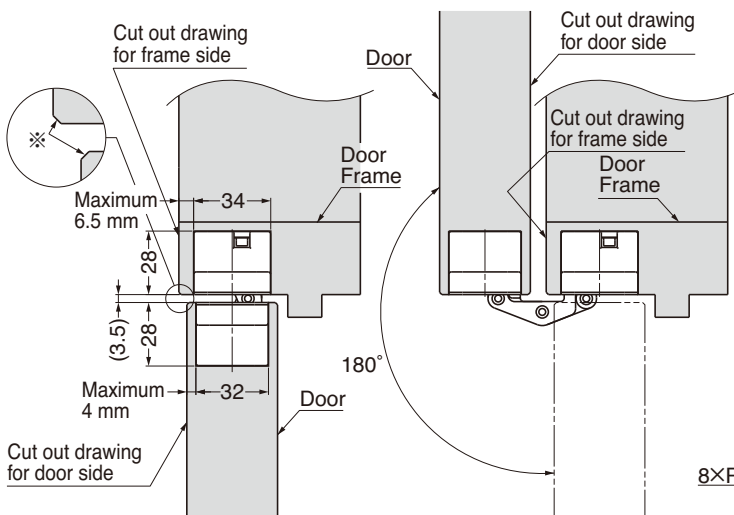
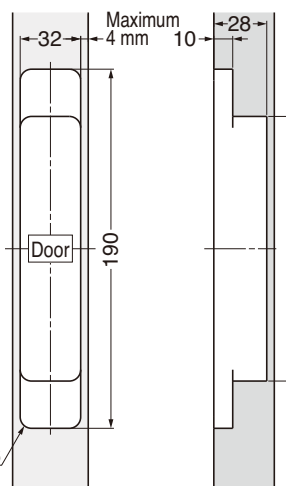
Maximum Door Weight	100kg (220lbs) per 2 hinges
	125kg (276lbs) per 3 hinges
Minimum Door Thickness	38mm (1-1/2)
Maximum Door Height	2400mm (94)
Maximum Door Width	900mm (36)

**ADJUSTMENTS**

Vertical adjustment	±3mm
Horizontal adjustment	+3mm, -2mm
Front / back adjustment	±1mm

**CUT OUT DRAWING****⚠ Caution**

Round edges of door and frame by applying cuts with "C1 and over" or "R1 and over." (Reference to "\*" in the drawing.)

**● Cut out drawing for door side****● Cut out drawing for frame side**